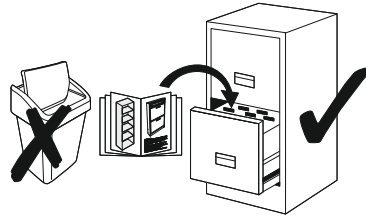
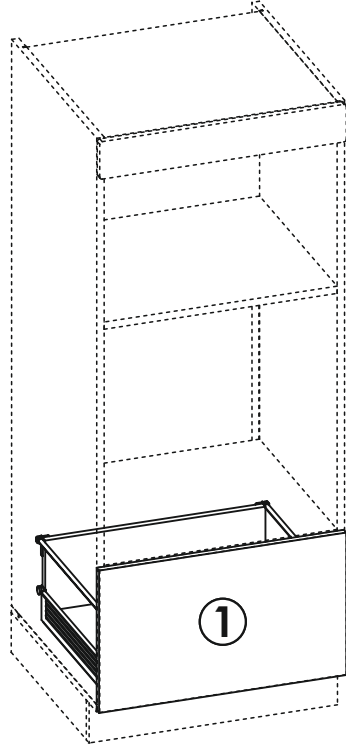
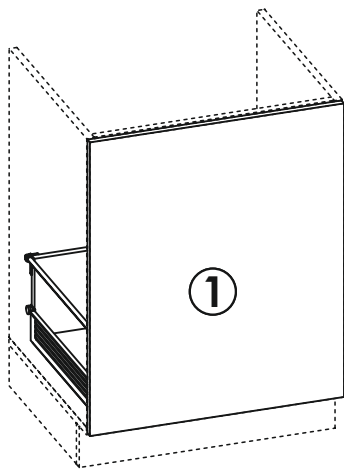


KPL SZUF D1ZM 60 / D5AM 60

D5AM 60



D1ZM 60




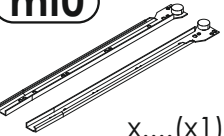
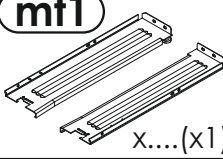
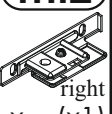
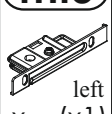
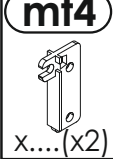
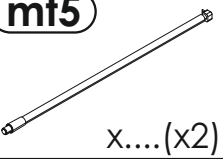




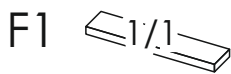
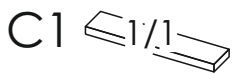
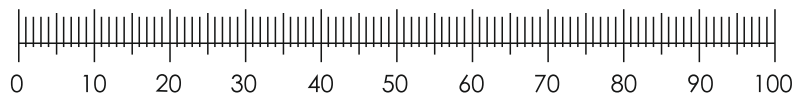
 max.
15 kg

②

①

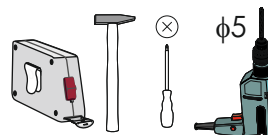
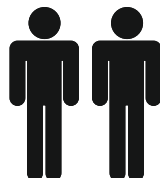
③

c2  Euro 5x13 x...(x20)	d5  x...(x2)	i6  3,5x40 x...(x2)	mt0  x...(x1)
mt1  x...(x1)	mt2  right x...(x1)	mt3  left x...(x1)	mt4  x...(x2)
mt5  x...(x2)	p0  ø5 x...(x2)	p14  ø10 x...(x2)	



② -C1
③ -C1

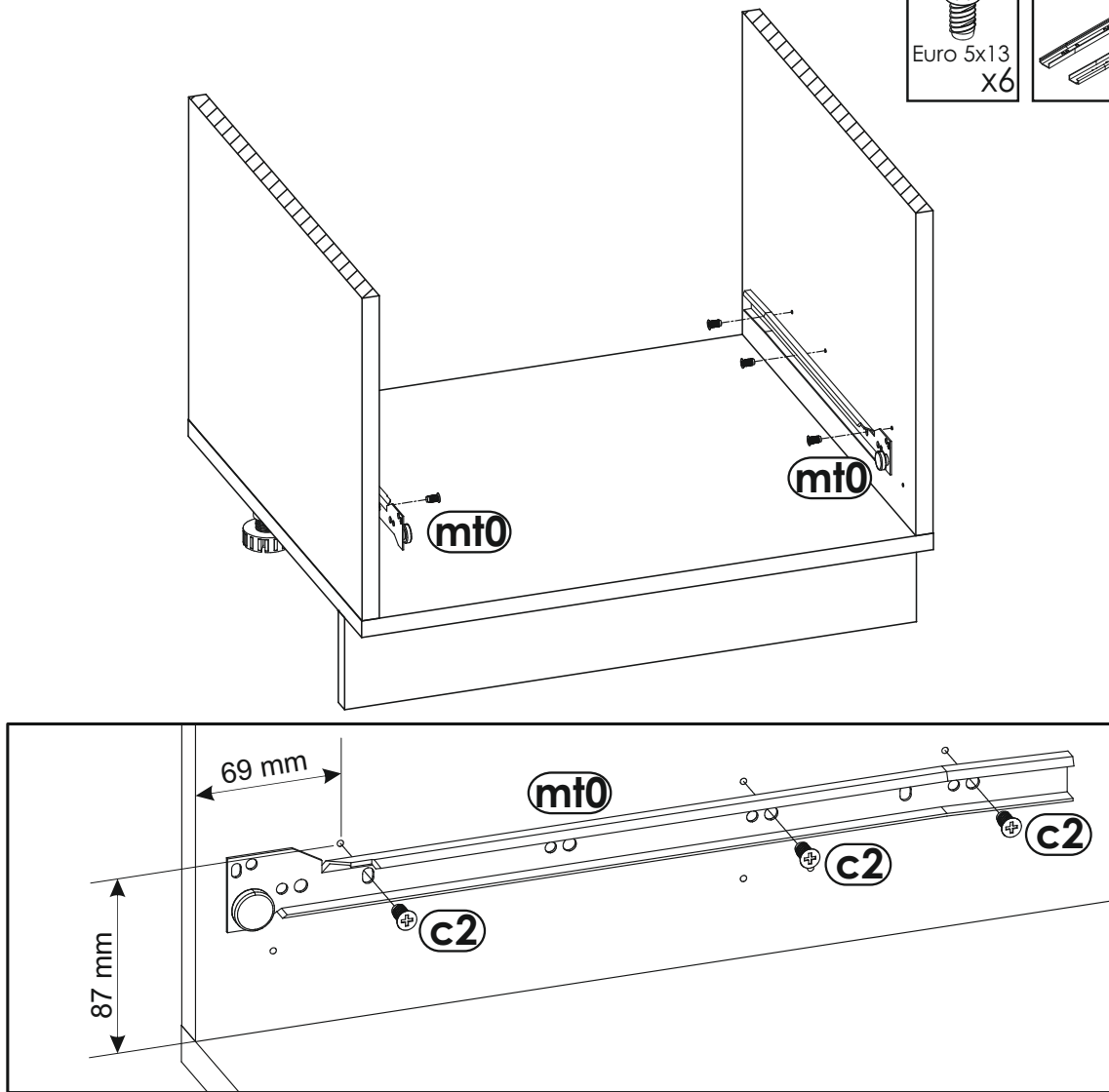
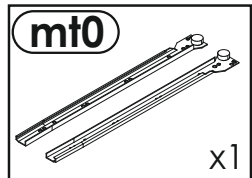
① -F1



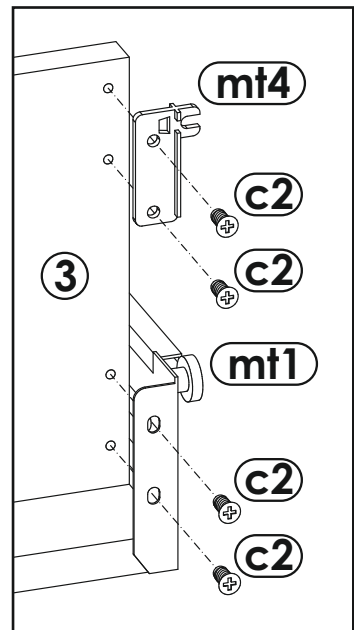
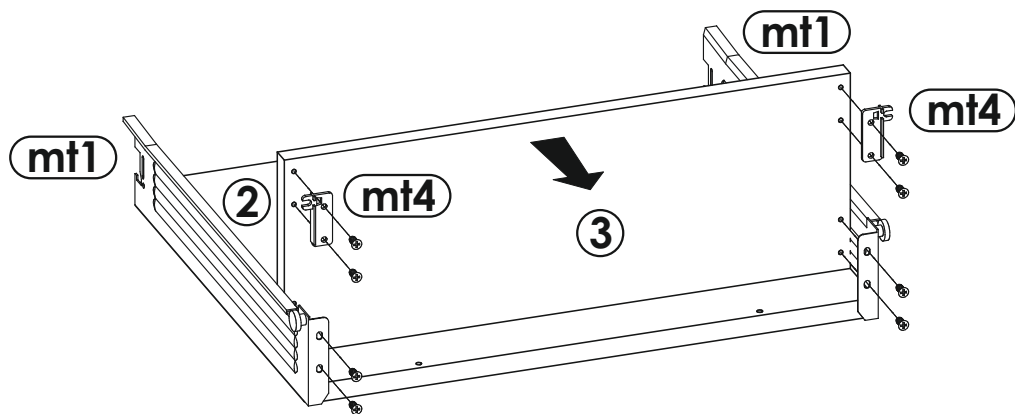
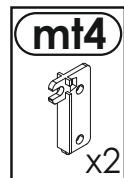
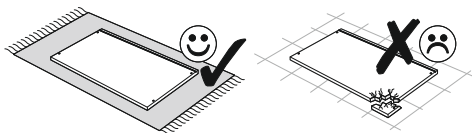
 - 40 min.

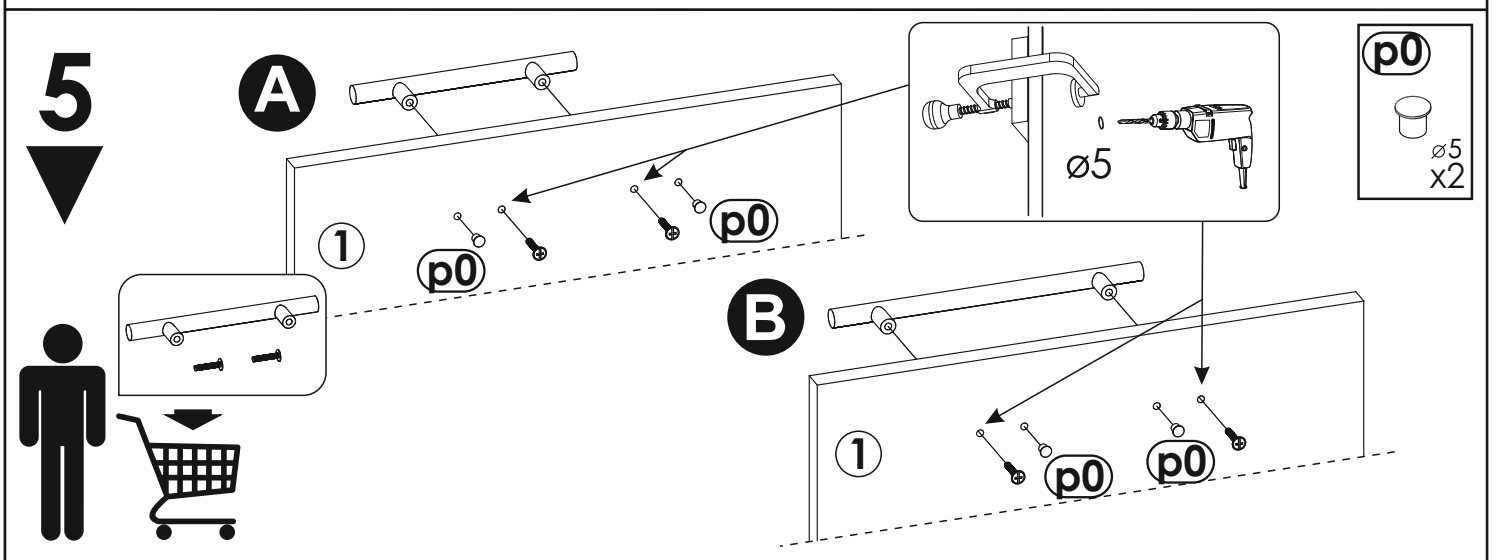
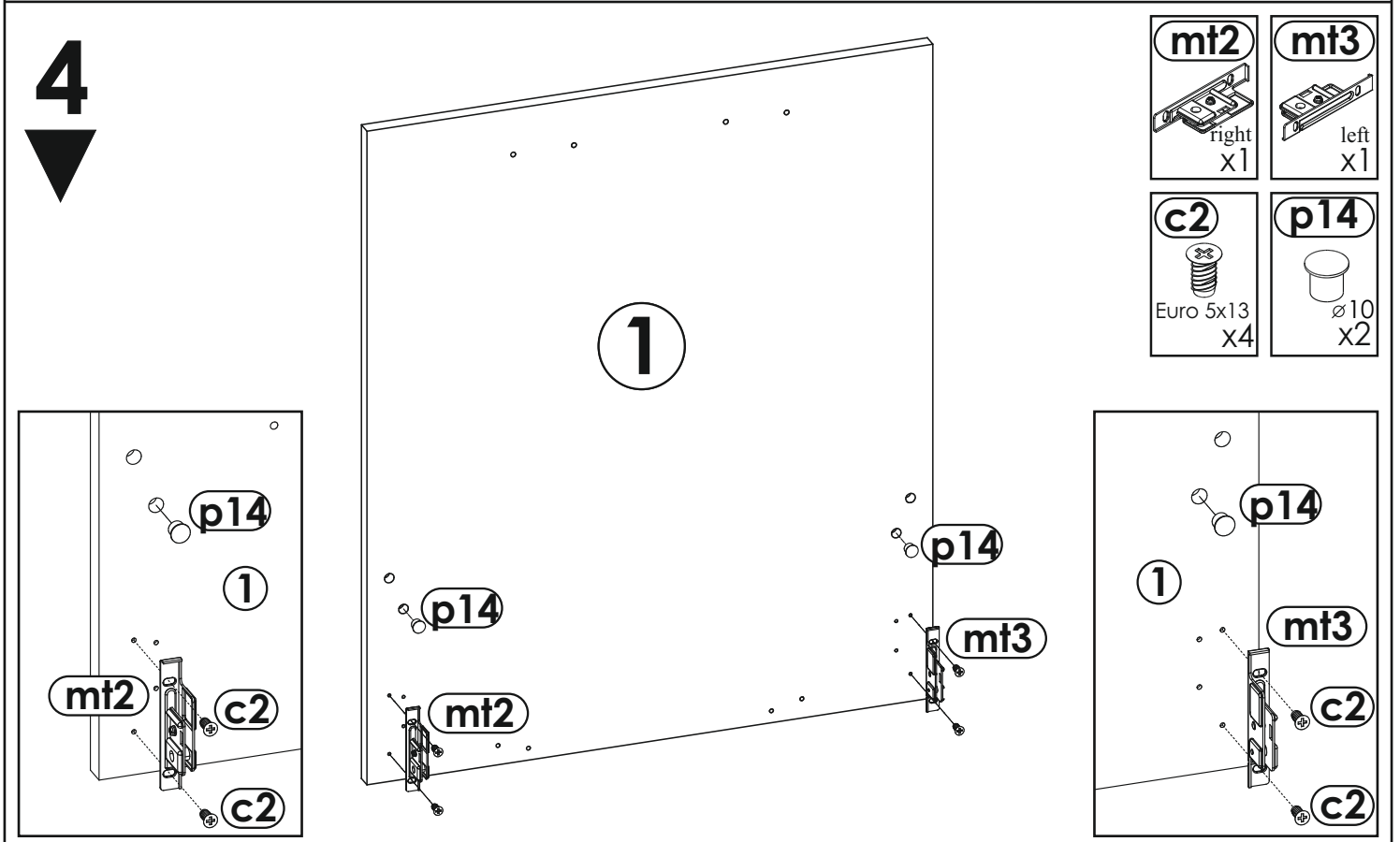
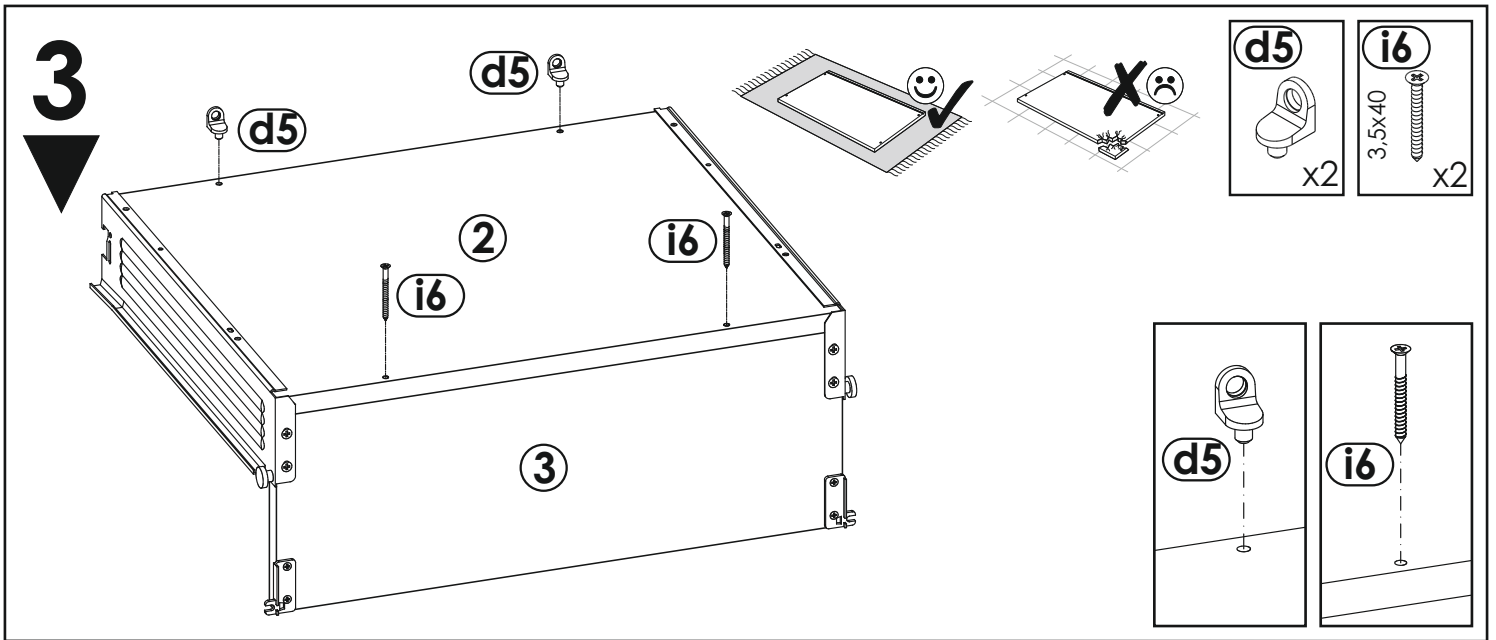


1

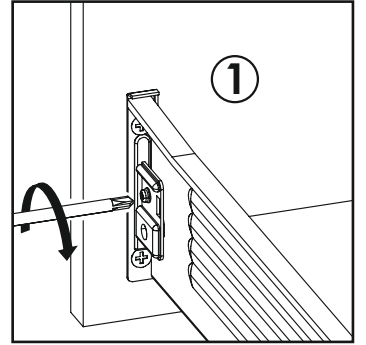
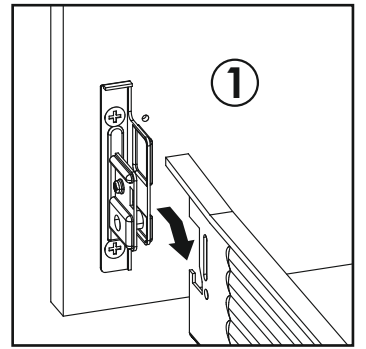
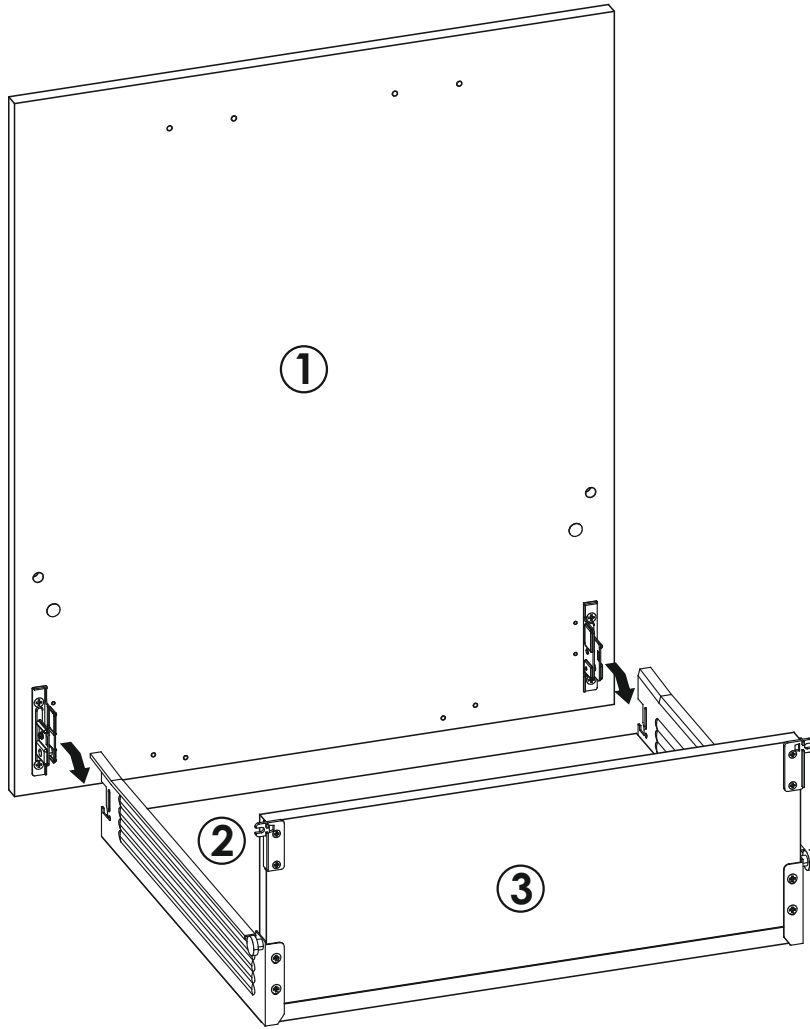


2

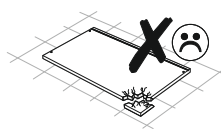
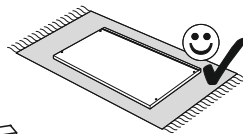
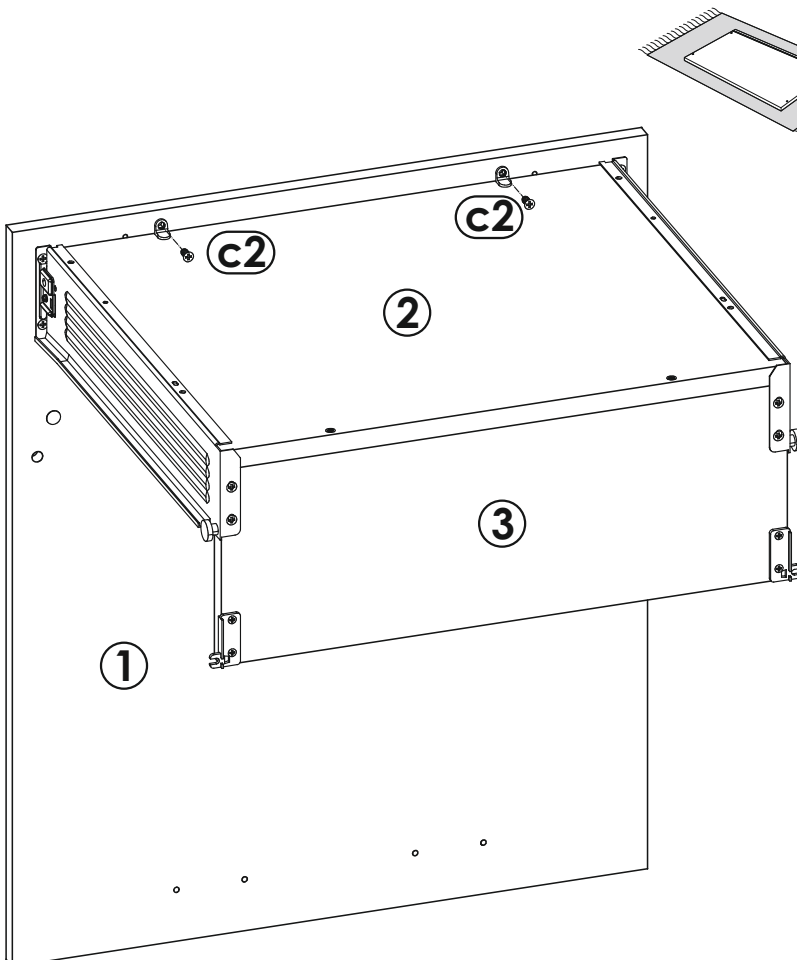




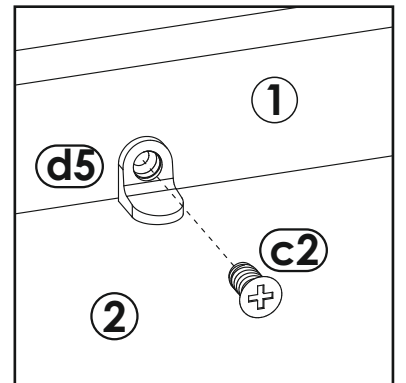
6
▼



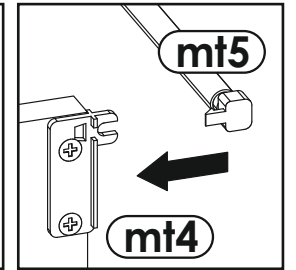
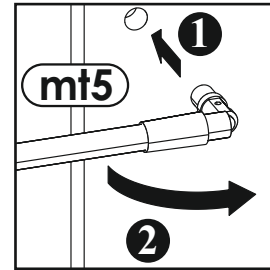
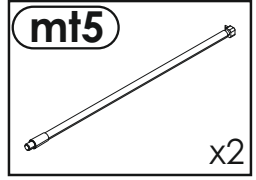
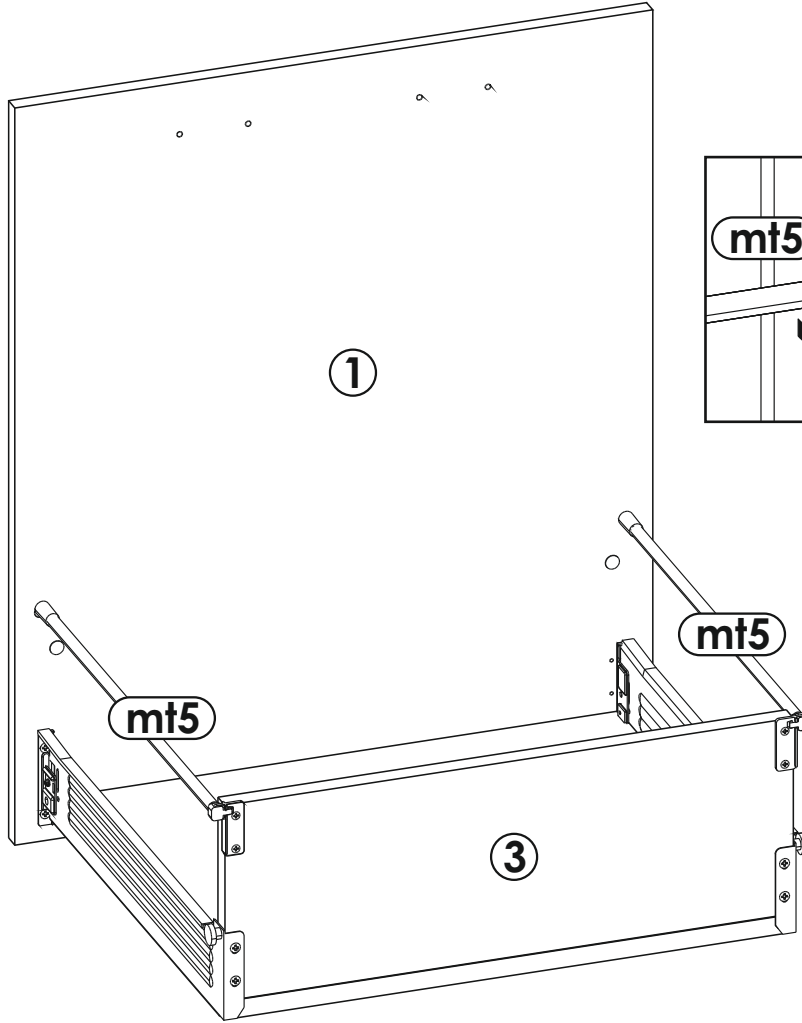
7
▼



c2
Euro 5x13
x2



8



9



D1ZM 60

D5AM 60

