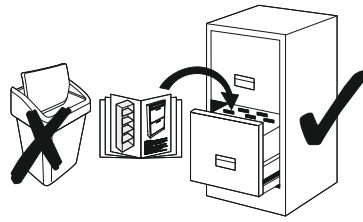
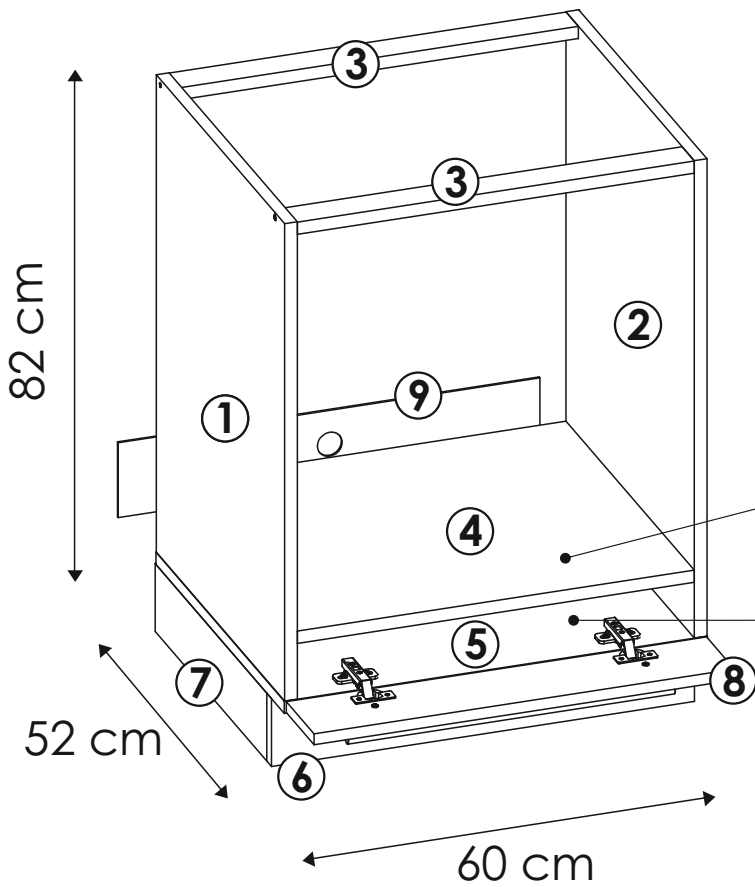


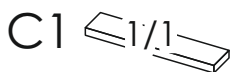
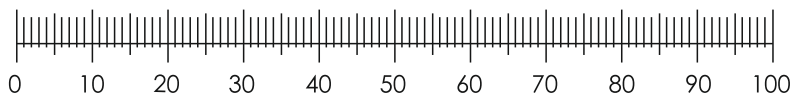
D11k 60



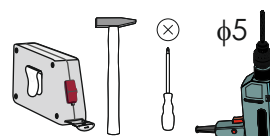
max.
25 kg

max.
15 kg

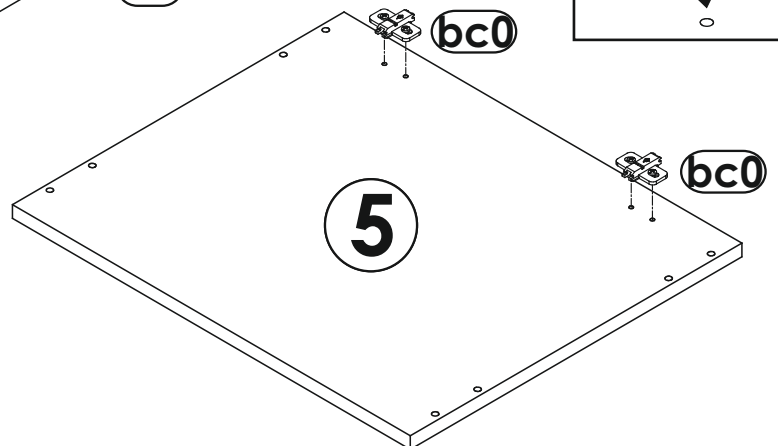
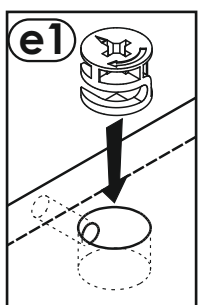
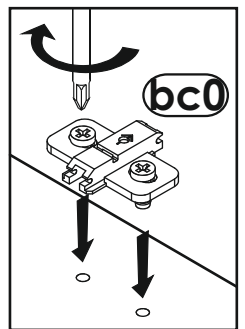
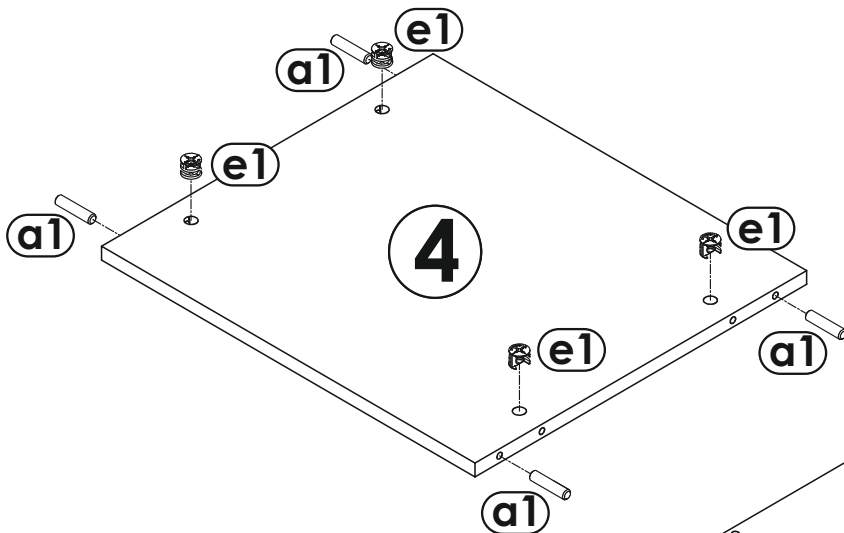
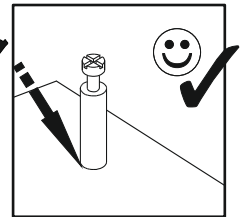
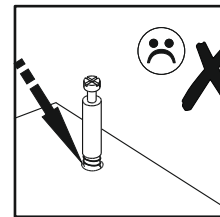
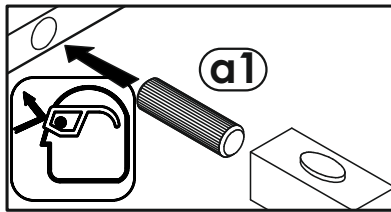
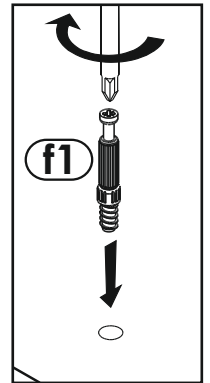
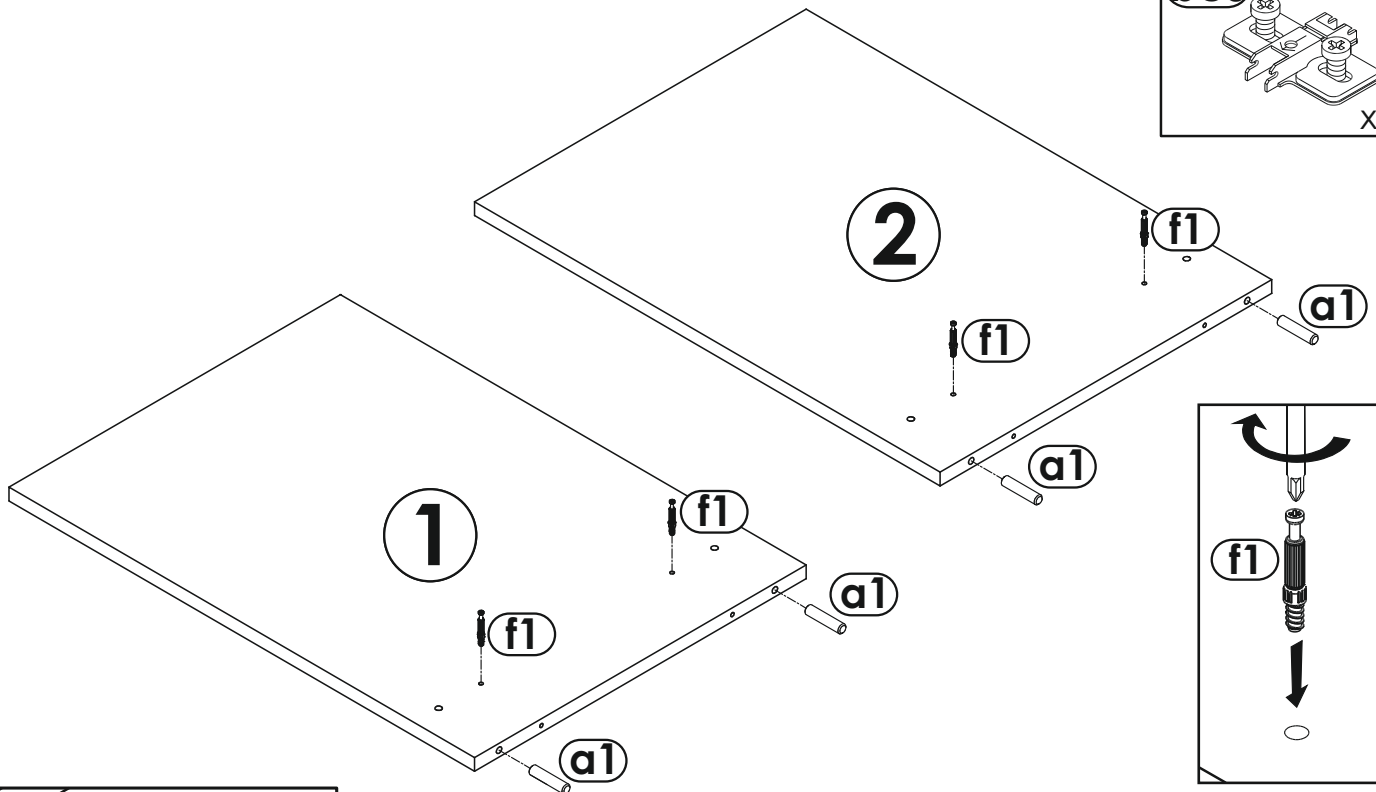
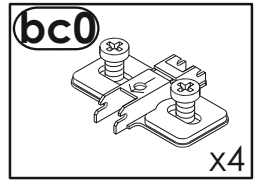
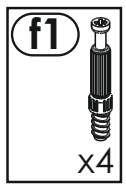
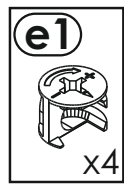
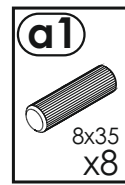
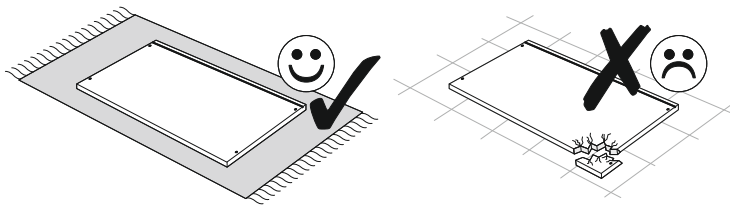
a1 8x35 x...(x8)	bc0 x...(x2)	bc1 x...(x2)	c1 Euro 4x13 x...(x4)	e0 x...(x4)	e1 x...(x4)	f1 x...(x4)	g1 x...(x4)	
h1 x...(x2)	i6 3.5x40 x...(x4)	k3 4x22 x...(x4)	m x...(x1)	n1 3x16 x...(x10)	n2 3.5x16 x...(x24)	o1 x...(x4)	o2 x...(x4)	w16 x...(x1)

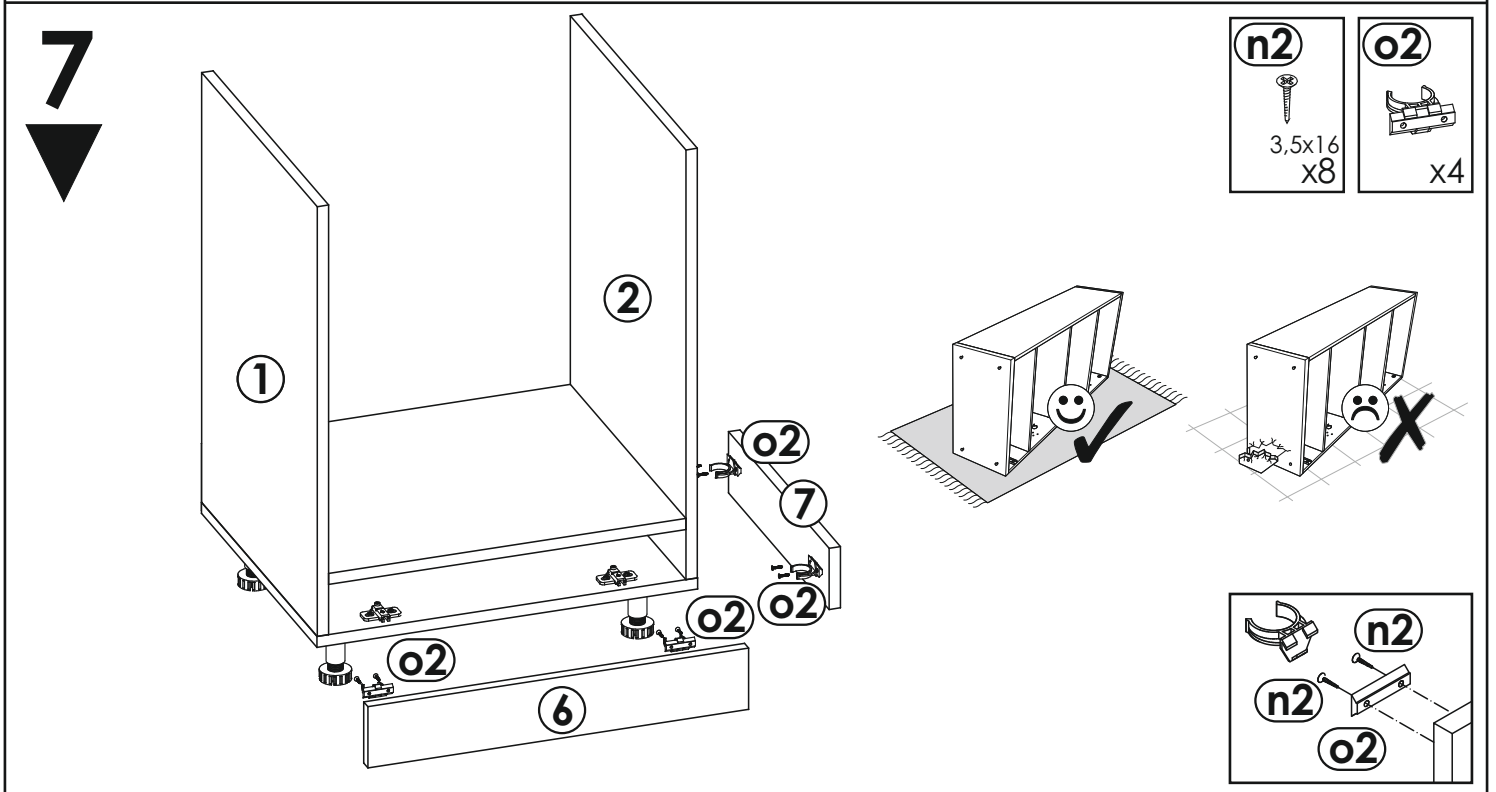
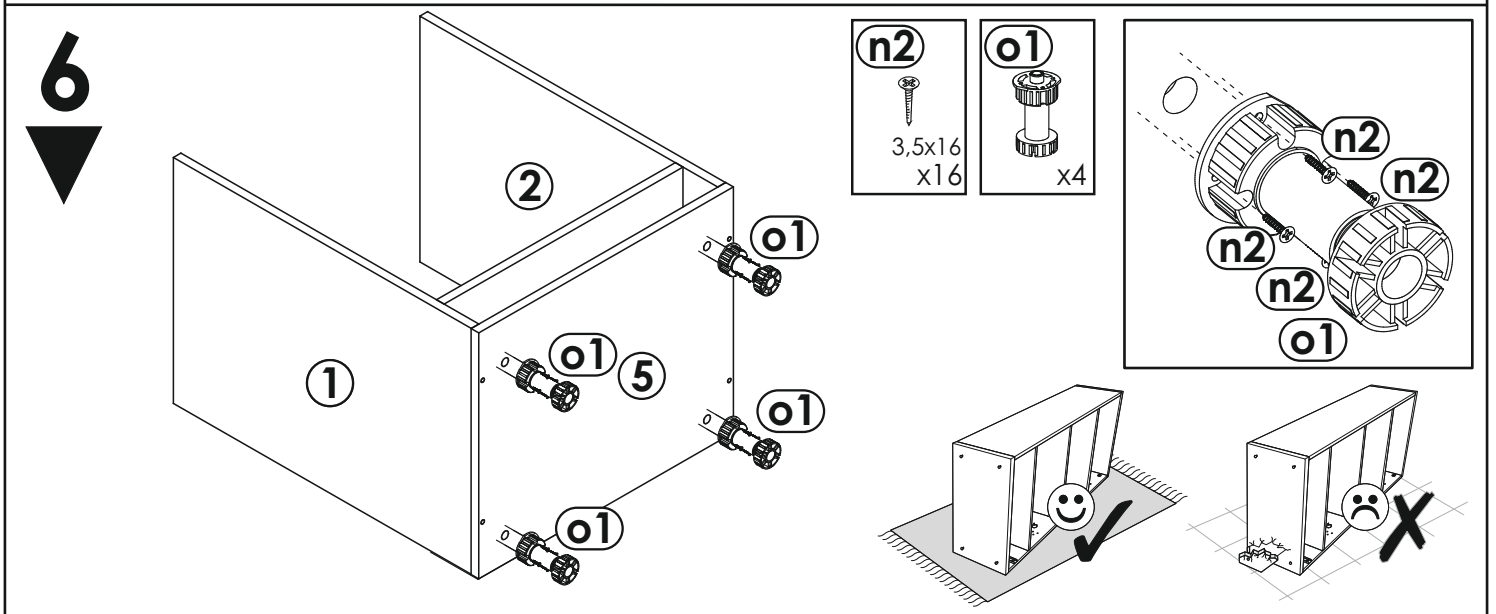
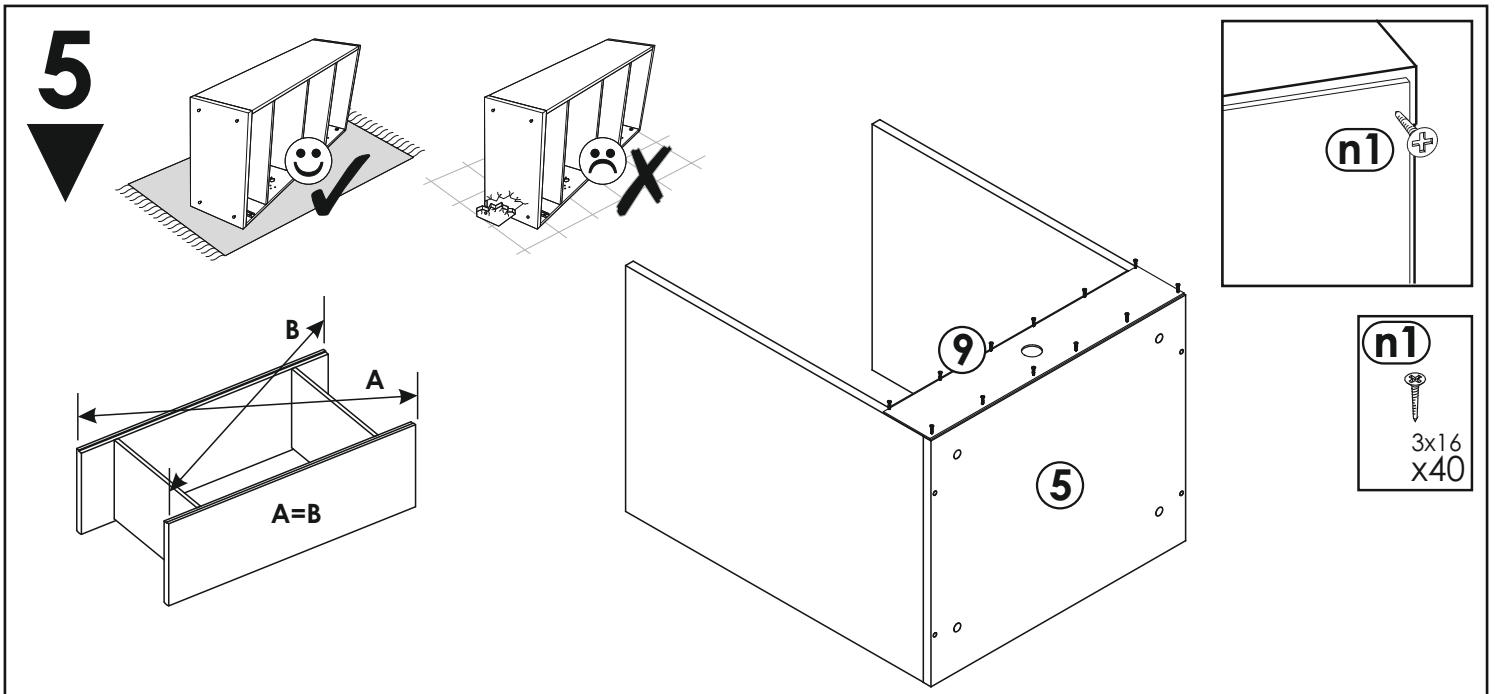


- | | |
|-------|-------|
| ① -C1 | ⑥ -C1 |
| ② -C1 | ⑦ -C1 |
| ③ -C1 | ⑧ -C1 |
| ④ -C1 | ⑨ -C1 |
| ⑤ -C1 | |

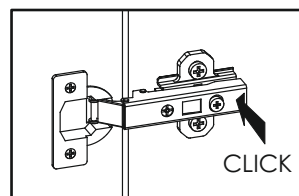
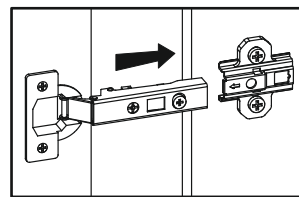
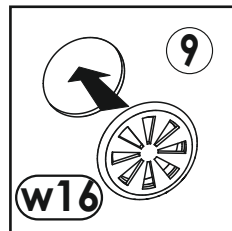
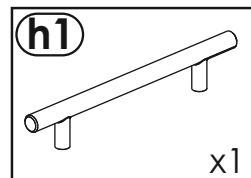
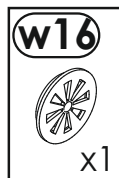
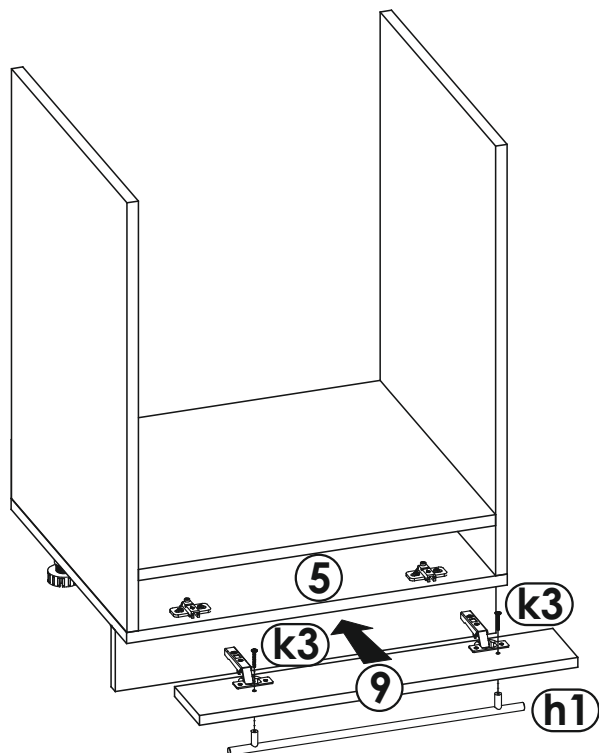


1





8



9

